

PMC-ETH2/GB-RJ45

1000BaseT Ethernet PMC Module

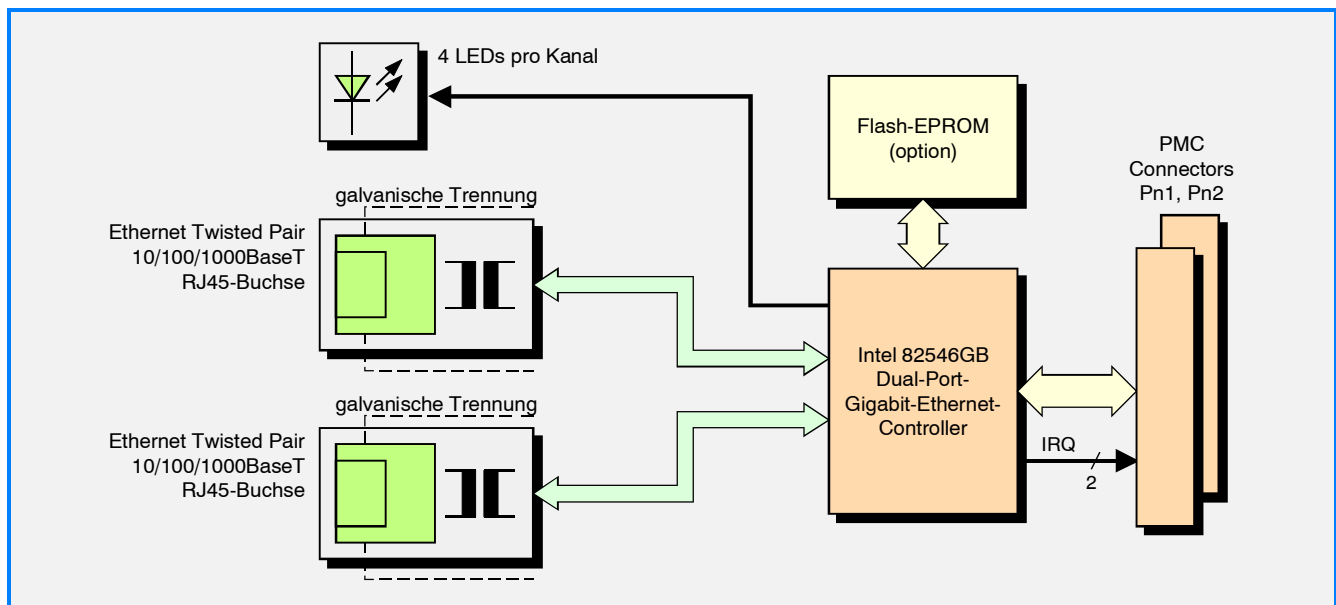
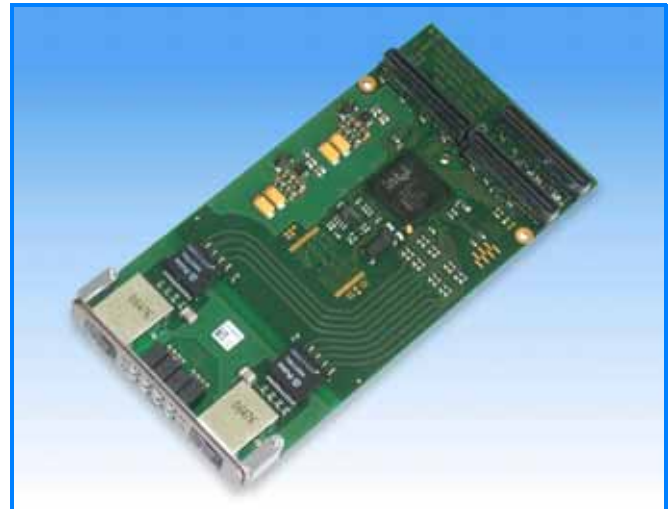
- dual 10/100/1000 BaseT Ethernet (IEEE 802.3)
- runs with standard system driver for Ethernet interfaces

Compact Solution

The PMC-ETH2/GB-RJ45 is a PMC target board in single PCI Mezzanine Card size. It is equipped with an Intel 82546GB dual port Gigabit Ethernet controller. The interfaces are conform to IEEE802.3 and can be connected as 1000BaseT via RJ45 connectors in the front panel.

Software Support

The board runs with the standard system drivers of Windows NT/2000, Linux as well as VxWorks and QNX for ETHERNET interfaces.



Technical Specifications:

PMC compatibility:	
Standards:	PMC: IEEE Std. P1386.1-2001 PCI: PCI Local Bus Specification 2.2
Signal conditions:	PCI clock rate: 33 MHz, 3.3 V or 5 V PCI clock rate: 66 MHz, 3.3 V
PCI controller:	82546GB
Ethernet interface:	
Ports:	2
Standard:	IEEE 802.3
Speed:	10/100/1000 Mbit/s, automatic speed detection, both full duplex
Controller:	82546GB, Dual Port Gigabit Ethernet Controller

General:	
Ambient temperature:	0...+55 °C
Humidity:	0...90 %, non-condensing
Power supply:	3.3 V
Connectors:	Pn1, Pn2 acc. to IEEE Std. P1386.1-2001, Ethernet: 2x RJ45
Order information:	
Designation	order no.
PMC-ETH2/GB-RJ45	PMC target module with 2x Gigabit Ethernet at RJ45 V.2088.01