

CAN-CSC595/2

CAN - S5-PLC Interface Module



- Direct interface between PLC and CAN I/O modules
- Decentralized connection of analog and digital data to PLC

PLC Connection

The communication processor CAN-CSC595 enables a direct interface between SIEMENS PLCs of types S5-95U, S5-100U or ET-100 respectively and CAN I/O modules or other CAN users.

With this it is also possible to perform a fast process data connection to VMEbus systems or to other PLC units.

To the PLC programmer the module offers a total process data transparency. There are no additional functions or data components necessary, so PLC programs run as usual.

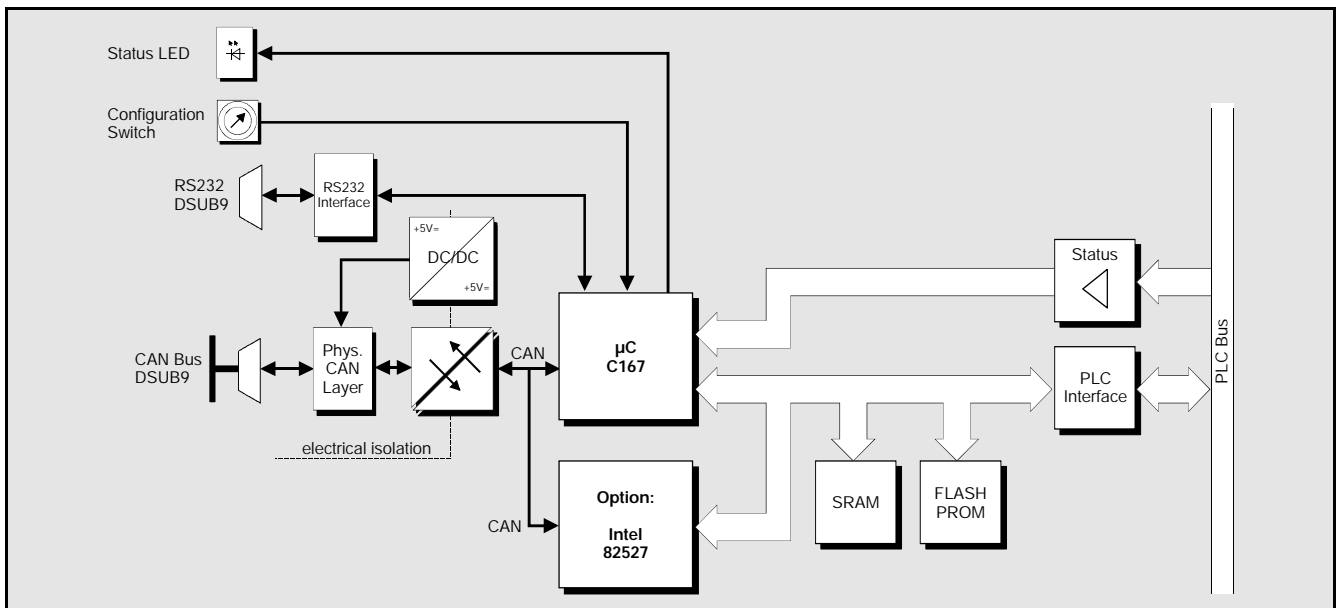


Fast CAN Microcontroller

The CAN-CSC595 operates with a microcontroller C167C with integrated CAN interface.

The CAN interface, according to ISO 11898, allows a maximum data transfer rate of 1 Mbit/s.

The bit rate as well as all CAN identifiers can be set via the CAN bus or via the local RS-232 interface by means of the software. The configuration can be done via an RS-232 interface. The settings are stored in the local EEPROM.



Technical Specifications:

| | |
|-------------------------|---|
| PLC interfacing: | |
| PLC type: | Siemens SIMATIC S5 S5-95U, S5-100U, ET-100 |
| Microcontroller: | C167C / 20 MHz |
| Interface: | via dual-ported RAM |
| CAN: | |
| CAN layer: | differential, according to ISO11898, 1 Mbit/s |
| CAN interface: | electrically isolated |
| Diagnostic LED: | module status displayed by green LED |
| General: | |
| Ambient temperature: | 0...50 / C |
| Humidity: | max. 90 %, non-condensing |
| Module operat. voltage: | rated value 9 VDC |

| | | |
|-----------------------------|--|------------|
| General (continued): | | |
| Power consumption: | typ. 250 mA | |
| Connector types: | CAN: 9-pole DSUB, RS-232: 9-pole DSUB | |
| Case: | compatible to SIMATIC S5 bus module | |
| Order information: | | |
| Designation | | order no.: |
| CAN-CSC595/2 | Interface CAN / Siemens PLC | C.2902.02 |
| CAN-CSC595/2-CO | Interface CANopen/S5-PLC | C.2902.05 |
| DN-CSC595/2 | Interface DeviceNet/S5-PLC | C.2902.07 |
| CAN-CSC595/2-ME | English user's manual CAN / CANopen | C.2902.21 |
| DN-CSC595/2-ME | English user's manual DeviceNet | C.2902.25 |