



CPCI-HD/2

HD-Drive, CompactFlash and 2 SATA Interfaces

- single slot 3 U
- on-board hard disk
- CompactFlash-card slot in front panel
- CompactFlash hot-plug capable
- two Serial ATA interfaces for external drives

Hard Disk Drive On-Board

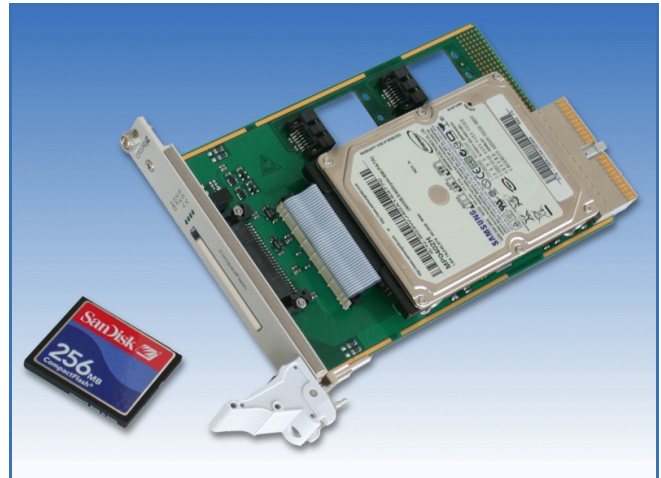
The module CPCI-HD/2 is a CompactPCI board in 3 U form factor (4 HP). It is equipped with the SATA-Controller SiI3114 that supports four SATA-channels. Two channels are used as Serial ATA interfaces, one channel is used to control a CompactFlash slot and one channel to control the local 2.5" HD drive. The factory installed HD capacity may change upwards with the improvement of drive technology.

CompactFlash Card Interface

The board is equipped with a type I CompactFlash card holder. The card slot is accessible through the front panel. 'Hot pluggable' operation is supported. Data access is executed in 'True IDE' mode.

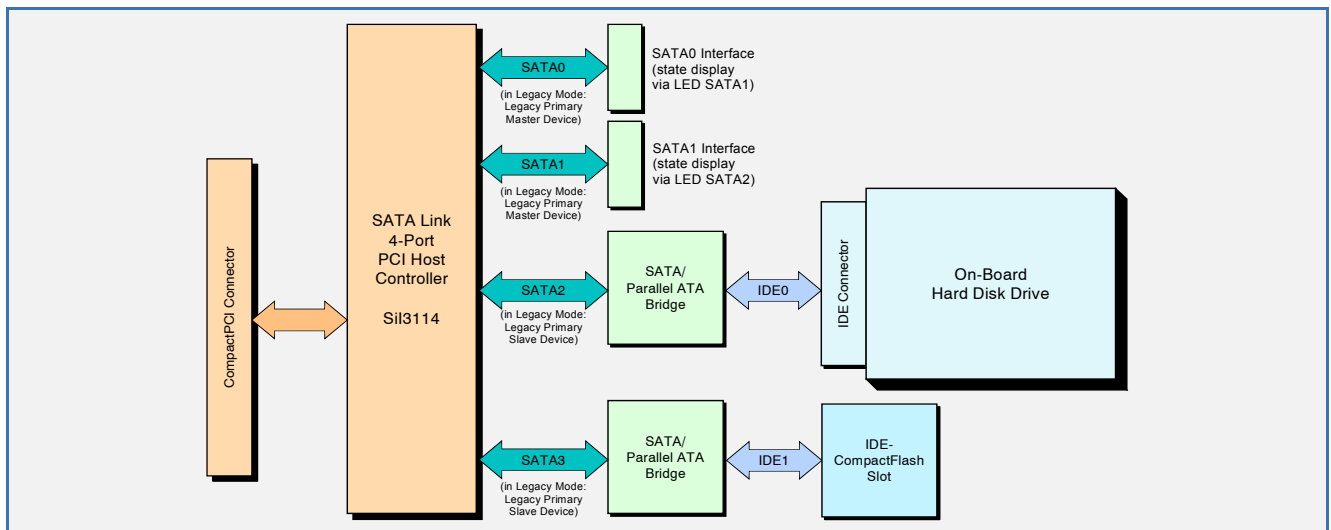
Interfaces for External Devices

Two external devices can be attached via two on-board SATA plugs. Modification to rear I/O-connection is possible on request.



Software Support

The CPCI-HD/2 runs with the standard system drivers of Linux (from Kernel 2.6.19), QNX (from 6.x) and Windows (Vista, 2003 Server, 2000/XP).



Technical Specifications:

CompactPCI connection:		General:	
Interface:	according to CPCI Specification, Rev. 2.0, 32 bit, 33/66 MHz	Ambient temp.:	0 ... +50 °C
PCI-bridge:	SiI3114	Humidity:	max. 90 %, non-condensing
Hard Disk Drive and CompactFlash:		Power supply:	3.3 V / 80 mA, 5V / max. 1.5 A (startup current, typ. with 40 GB HDD) 5V / 0.6 A (quiescent current)
IDE device bridge:	SiI3811	Status LEDs:	4 LEDs (SATA0 - SATA3 activity)
HD drive:	44-pole 2 mm IDE connector, 2.5" HD drive, capacity ≥ 40 GB	Board dimension:	3 U height, 4 HP width
CompactFlash:	according to CompactFlash™ specification, type I CompactFlash card holder, 'True IDE' mode, 3.3 V power supply	Order information:	
Hot plugging:	hot plug capability (Linux and Windows systems)	Designation	order no.
SATA interface:		CPCI-HD/2	CompactFlash interface, 2x SATA interface; HD-drive ≥ 40 GB included 1.2318.04
SATA controller:	SiI3114, SATA 1.0 specification compliant	CPCI-HD/2-SATA/IDE-Interface	as 1.2318.04, but without HD-drive installed 1.2318.02
Connector:	SATA signal plug with peg and locking latch	CPCI-HD/2-IDE-Kit	Mounting Kit for 2.5" IDE-hard disk 1.2318.03

Please ask our support for available IDE-hard disk drives.