

# CPCI-DIO1616

## 16 Digital Inputs and 16 Digital Outputs

- all inputs and outputs electrically isolated
- 16 inputs 24 V
- individual interrupt on each channel
- 16 outputs 24 V
- short circuit and overload protection
- error detection signal

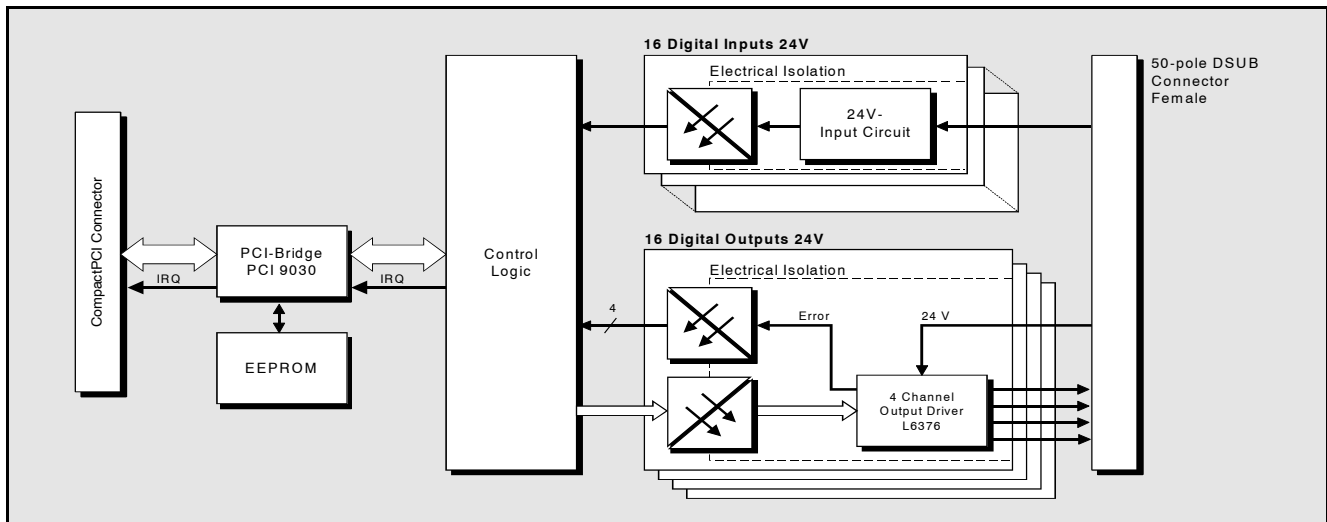
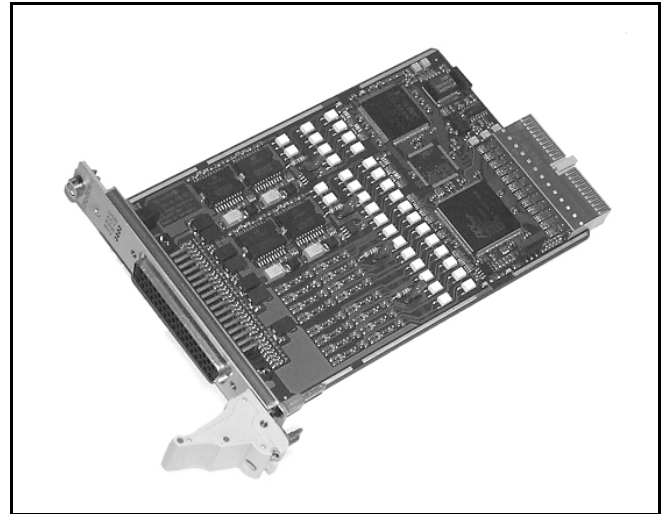
### Digital Inputs and Outputs

The module CPCI-DIO1616 is a CompactPCI board in Euro format with 16 inputs and 16 outputs. All inputs and outputs are electrically isolated. The 16 inputs are designed for 24 V. Each input can be programmed as an interrupt separately. The falling or the rising edge of the input signal can be programmed to start an interrupt.

The 16 digital outputs are designed to switch 24 V to GND. The outputs are protected against overtemperature and short circuit. The error signals of the output drivers can be determined.

### Software Support

Drivers for the operating systems VxWorks, QNX6, Linux as well as Windows 98/NT/2000/XP are available. Additional drivers are available on request.



### Technical Specifications:

#### CompactPCI connection:

Interface:	acc. to CompactPCI specification, V 2.0
PCI-Bridge:	PCI9030
I/O-control:	PLD or optional FPGA

#### 16 Digital Inputs:

Input voltage:	max. permissible: $-20 \text{ V} \leq U_{IN} \leq 33 \text{ V}$
Switching threshold:	'0': $U_{IN} < 9 \text{ V}$ , '1': $U_{IN} > 15 \text{ V}$
Electrical isolation:	by optocouplers, each 8 inputs use one common GND

#### 16 Digital Outputs:

Driver supply voltage:	$U_{VCC} = 9.5 \text{ V/DC} \dots 35 \text{ V/DC}$
Load (24 V/50 °C):	250 mA
Protection:	against short circuit and overload (thermal)
Error signals:	in case of over current, over temperature, low supply voltage
Electrical isolation:	by optocouplers, each 8 outputs use one common VCC and GND

#### General:

Ambient temperature:	0...50 °C, optional -20 °C ....+85 °C
Humidity:	max. 90 %, non-condensing
Operating voltage:	3.3 V and 5 V
Status LEDs:	bus access, IRQ, error
Connectors:	CompactPCI board connector, I/O-connector: 50-pole DSUB, female
Board dimensions:	3 HE height, 4 TE width

#### Order information:

Designation		order no.
CPCI-DIO1616	16 dig. inputs, 16 dig. outputs, 0...+50 °C	1.2309.02
CPCI-DIO1616-T	16 dig. inputs, 16 dig. outputs, -20 °C...+85 °C	1.2309.03
CPCI-DIO1616-VxW	VxWorks driver source code	1.2309.31
CPCI-DIO1616-QNX	QNX6 driver object licence	1.2309.32
CPCI-DIO1616-Linux	Linux driver object licence	1.2309.33