

# CAN-PCIe/200

## PCI Express CAN Interface

### Powerful CAN Interface for PCs

The CAN-PCIe/200 is a low cost passive CAN interface board for PCI Express with one or optional two CAN interfaces.

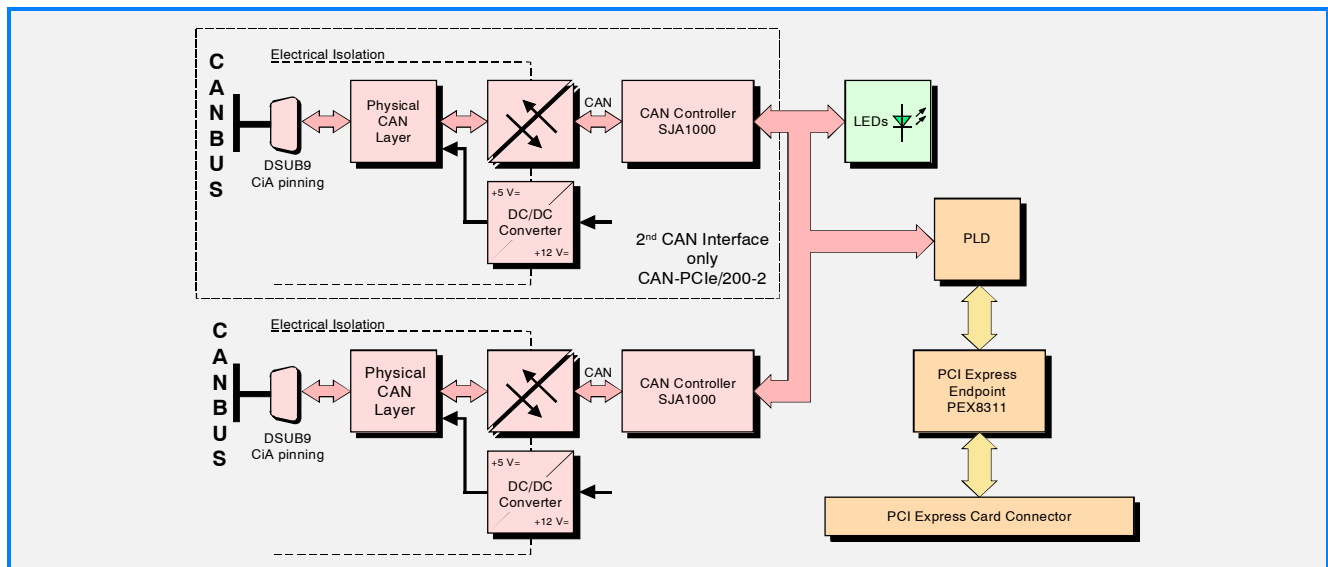
### CAN Interface

The ISO 11898 compliant CAN interfaces allow data transfer rates up to 1 Mbit/s. Among many other features, the bit rate can be set by software. The CAN interfaces are electrically isolated.

### Software Support

Software drivers are available for Windows, Linux and QNX. Drivers for other operating systems are available on request. Please ask our support whether drivers for your operating system are available.

Please note: The maximum effective CAN bit rate value may be limited by the performance of the host CPU, because this is a passive CAN module without a microcontroller on board.



### Technical Specifications:

<b>PCI Express interface:</b>	
PCIe endpoint:	PEX8311
PCIe-port:	according to PCI Express Specification R1.0a
Link width:	x1
<b>CAN:</b>	
CAN controller:	SJA1000, ISO11898-1 (CAN2.0)
CAN interface:	differential, electrically isolated, ISO11898-2 (1 Mbit/s)
<b>General:</b>	
Temperature:	0...50 °C
Humidity:	max. 90 %, non-condensing
Supply voltage:	3.3 VDC/200 mA (typ.) <u>and</u> +12 VDC/80 mA (typ.)
Add-in-card size:	height: 111.15 mm (standard) length: 80 mm
Weight:	approx. 85 g
Connectors:	CAN: 9-pole DSUB (male)
LEDs:	4 status LEDs

### Order information:

Designation		order no.
CAN-PCIe/200-1	1x CAN, ISO11898-1, -2	C.2042.02
CAN-PCIe/200-2	2x CAN, ISO11898-1, -2	C.2042.04
CAN-DRV-LCD	Object licence for Windows and Linux incl. CD-ROM	C.1101.02
CAN-PCIe/200-Vx	VxWorks object licence	C.2042.55
CAN-PCI/200-ME	Hardware manual	C.2042.21
CAN-API-ME	CAN-API software manual	C.2001.21