

CAN-PCI/405-B4

High Performance PCI-CAN-Interfaces

- 4 CAN interfaces via one DSUB37-connector
- only one PCI slot required
- PowerPC AMCC 405

PCI-PowerPC Board

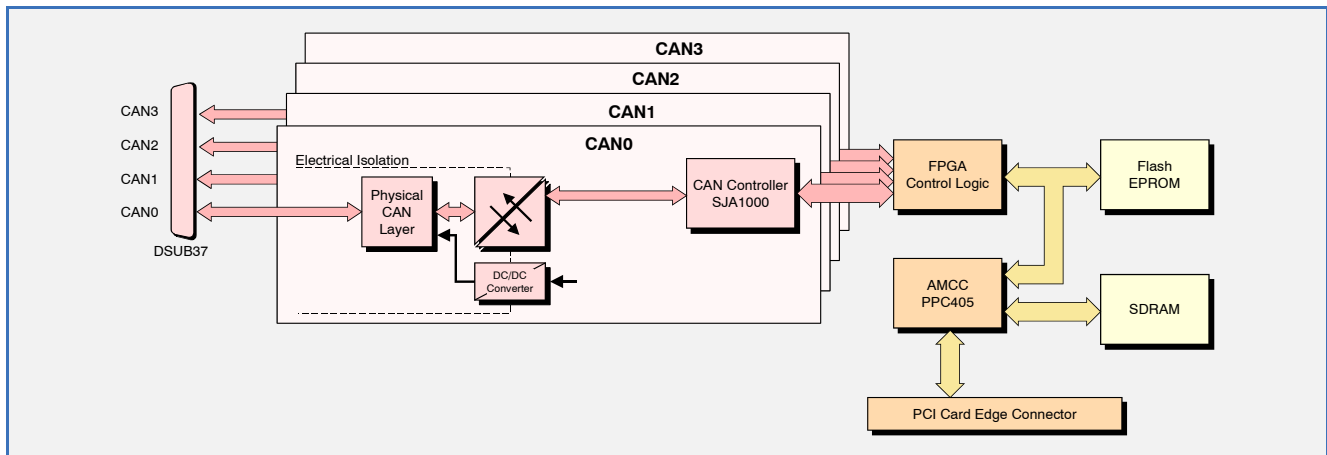
The CAN-PCI/405-B4 is a PC board designed for the PCI bus. The AMCC PowerPC 405 operates at 200 MHz. The board is equipped with 32 Mbyte SDRAM and 2 Mbyte Flash. The CAN-PCI/405-B4 uses PCI bus mastering to achieve high throughput and to relieve the main CPU.

CAN Interfaces

The CAN-PCI/405-B4 provides four ISO 11898 compliant CAN interfaces based on SJA1000 CAN controllers. The CAN interfaces allow a data transfer rate of 1 Mbit/s. The interfaces are electrically isolated. The CAN-PCI/405-4B provides high resolution hardware timestamps.

Software Support

Software drivers are available for Windows, Linux, RTX, QNX6 and SGI-IRIX6.5. Drivers for other operating systems are available as well. Please contact esd. Higher layer protocols are available for CANopen.



Technical Specifications:

Microcontroller circuit:

Microcontroller:	AMCC PPC405, 200 MHz, 32 bit
Memory equipped:	32 MB SDRAM, 2 MB Flash EPROM
CAN interfaces:	
Number:	4
CAN controller:	4x SJA1000, ISO11898-1
Physical layer:	high speed CAN acc. to ISO11898-2, differential, electrically isolated, bit rate up to 1 Mbit/s, DSUB37 connector
Hardware timestamps:	1 μ s resolution

PCI:

Specification:	PCI 2.2, Bus Master capable
PCI Bus Voltage:	'Universal Board', 3.3V (5V tolerant)
Clock rate:	33/66 MHz
Bus width:	32 bit

General:

Ambient temperature:	0...50 °C
Humidity:	max. 90 %, non-condensing
Connector:	CAN: 37-pole DSUB (male)
Power Supply:	3.3 V / 650 mA and 5 V / 250 mA

Order information:

Designation		order no.
CAN-PCI/405-B4	AMCC PPC405, 200 MHz, 32 MB SDRAM, 2 MB Flash, 4x CAN, DSUB37 (male) / 1-Slot	C.2041.04

Accessories:

CAN-PCI/405-B4-1C4	Cable DSUB37 (female) to 4x DSUB9 (male)	C.2041.18
--------------------	--	-----------

Options:

CAN-DRV-LCD	Layer-2 driver software, object licence for Linux and Windows incl. CD-ROM	C.1101.02
CANopen-LIC	CANopen, object licence for Linux and Windows	C.1101.05

CAN-PCI/405-B4-ME	Hardware manual	C.2041.21
CAN-API-ME	CAN-API software manual	C.2001.21

Drivers for other operating systems on request.