

CAN-DP/2

Gateway CAN to PROFIBUS-DP® Slave

Fast and reliable linking PROFIBUS-DP and CAN

- CAN-PLC link, e.g. to SIEMENS SIMATIC S7-300 or S7-400
- DP-slave with a total maximum of 300 bytes process data (input and output)
- Diagnostics interface via USB-virtual COM-port

Coupling Modules with CAN Layer 2 Implementation to PROFIBUS-DP

- No limitation on the number of CAN nodes by the module
- 11- and 29-bit CAN-ID support

No special Configuration Tool necessary

- The CAN-DP/2 can be easily configured via a PROFIBUS configuration tool



Applications

With the CAN gateway you can couple CAN modules with CANopen or layer-2 implementation to e.g. a SIMATIC-S7. The number of CAN nodes is not limited by the module.

Physical Interfaces

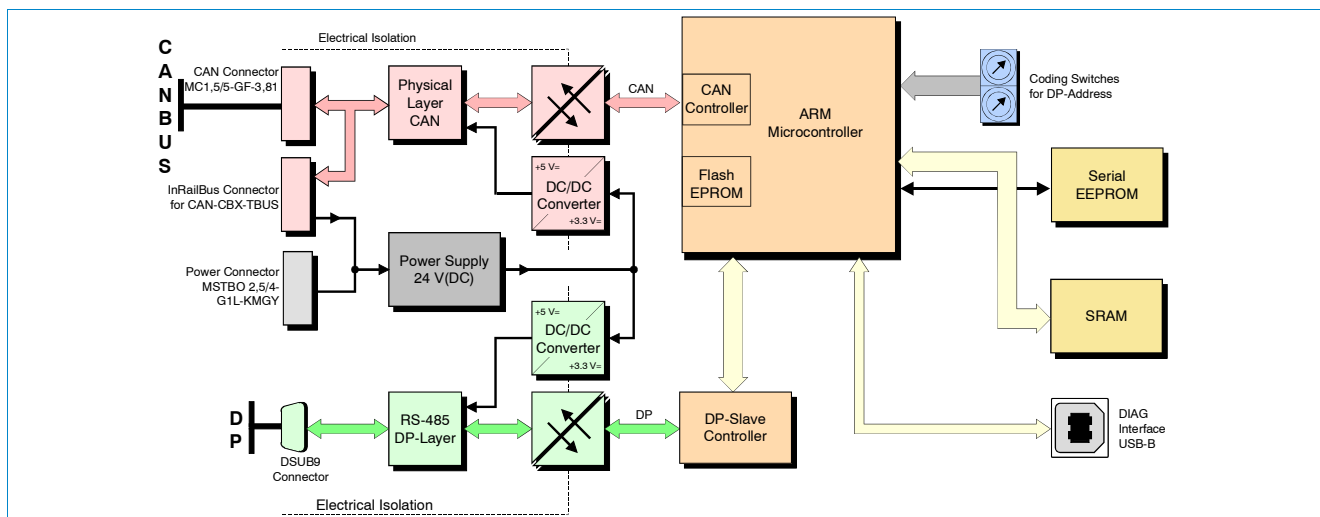
The ISO 11898-compatible CAN interface allows a maximum data-transfer rate of 1 Mbit/s. The Profibus-DP-Slave interface automatically recognizes all usual bit rates up to 12 Mbit/s. The DP as well as the CAN interface are electrically isolated.

Configuration and CAN Protocols

The module can be configured via PROFIBUS configuration tool, e.g. the PLC SIMATIC Manager.

Linking DP and CAN

The module CAN-DP/2 can link any Profibus-DP master to a CAN network. The DP/CAN gateway operates as a slave-I/O component with a total of maximum 300 bytes process data (up to 244 bytes input and 56 bytes output or up to 244 bytes output and 56 bytes input data) on the DP-bus.



Technical Specifications:

CPU:	
Microcontroller	ARM®Cortex™-M3, STM2F205, 32-bit
Memory	SRAM: 512 KB Flash EPROM: 256 KB, integrated in microcontroller
CAN:	
CAN controller	Integrated in microcontroller
CAN interface	ISO 11898-2, electrically isolated, up to 1 Mbit/s,
Profibus-DP:	
DP controller	VPC3, PROFIBUS-DP Slave
DP interface	RS-485, electrically isolated, max.12 Mbit/s
Diagnosis	
Interface	USB 2.0, full-speed, 12 Mbit/s

General:	
Operating voltage	Nominal 24 VDC ±20 %
Nominal current	40 mA @ 24 VDC
Ambient temperature	0 °C ... +55 °C
Relative humidity	Max. 90 % (non-condensing)
Dimensions	22.5 mm x 99 mm x 114.5 mm
Weight	ca. 125 g
Connectors	CAN: 5-pin Mini-Combicon or InRail Bus DP: 9-pin DSUB, female Power: 4-pin Combicon with spring-cage connection or InRailBus DIAG: USB type B connector
Order Information:	
Hardware	Order No.
CAN-DP/2 Gateway CAN to PROFIBUS-DP slave, physical layer ISO 11898-2, firmware with gateway function, GSD-file included	C.2907.02