

CAN-CBX-AO412

4 Analog Outputs, Resolution 12 Bit

- 4 analog outputs
- resolution 12 bit plus sign
- ± 10 V output voltage range
- InRailBus
- CANopen

Analog Outputs

The CAN-CBX-AO412 module is equipped with a D/A-converter that offers four analog output channels with a resolution of 12 bit plus sign.

Compact I/O Module

The CAN-CBX module series with InRailBus provides industry compatible CAN bus in-/output modules in combination with service-friendly 'wiring' of CAN bus and supply voltage.

InRailBus

The power supply and the CAN bus signals can be applied via the InRailBus connector (TBUS-connector) integrated in the



mounting rail or separately via the clamp-connection. From the InRailBus individual modules can be removed without interrupting the bus signals.

CAN Interface

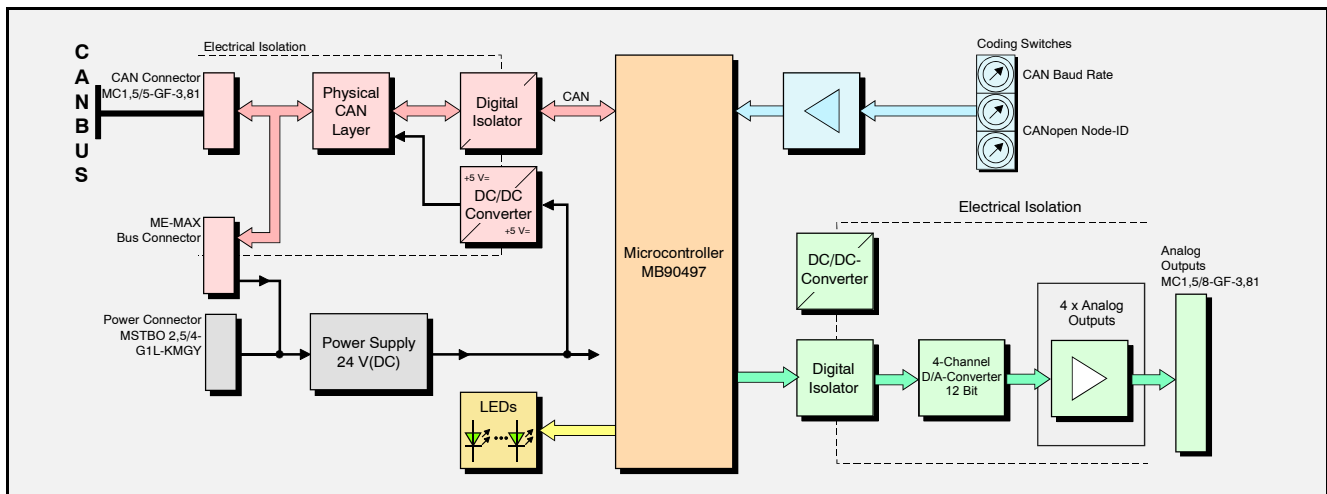
The CAN interface is designed according to ISO11898 with electrical isolation and bit rates up to 1 Mbit/s. The CANopen-node number and the CAN-bit rate can be easily set via coding switches at the top side of the module.

LED Display

Four LEDs indicate the input state and the CANopen node state.

Software Support

The module comes with CANopen firmware according to CiA-DS-301 and with a CANopen I/O-profile according to CiA-DS-401.



Technical Specifications:

Process coupling:	
Number of outputs:	4 analog outputs
Resolution:	12 bits plus sign
Output range:	± 10 V
CAN, Microcontroller:	
Microcontroller:	MB90F497, CAN 2.0A/B
CAN interface:	acc. to ISO11898, differential, electrically isolated, bit rate up to 1 Mbit/s
Protocol	CANopen DS-301, DS-401

General:	
Ambient temp.:	-20 ... 70 °C
Power supply:	nominal 24 VDC
Dimensions:	22 x 112 x 113 mm
Connectors:	Power: Phoenix MSTBO2,5/4-G1LKMGY CAN: Phoenix MC1,5/5-GF-3,81 Analog: Phoenix MC1,5/8-G-3,81-AU
Order information:	
Designation	order no.
CAN-CBX-AO412 4 analog outputs 12 bit plus sign	C.3040.02