

PMC-ETH2

Dual Ethernet PMC Module

- 2 Ethernet ports
- 10/100BaseT
- full duplex operation
- automatic speed configuration

PMC Board Specifications

The PMC-ETH2 is a PMC target board in 'single' PCI Mezzanine Card size. The PCI to PCI bridge enables the board to run at 33 MHz and 66 MHz PCI bus clock rate. According to the clock rate the module is tolerant for 3.3 V signal or 5 V signal voltage. The supply voltages has to be 3.3 V and 5 V.

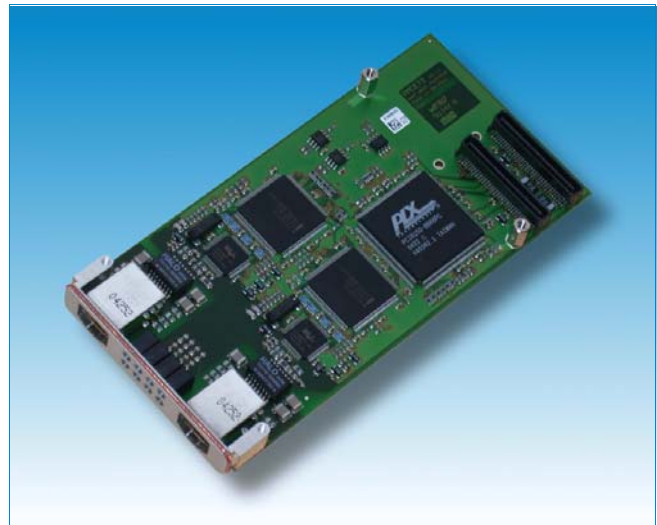
Ethernet Interfaces

The PMC-ETH2 comes with two Ethernet ports for 10 Mbit/s and 100 Mbit/s nets. Full duplex operation is supported for both speeds. The ports are accessible as 10/100BaseT (IEEE 802.3) via RJ45 connectors in the front panel. Each channel is equipped with its own Ethernet controller with integrated DMA, FIFO and PCI bus interface.

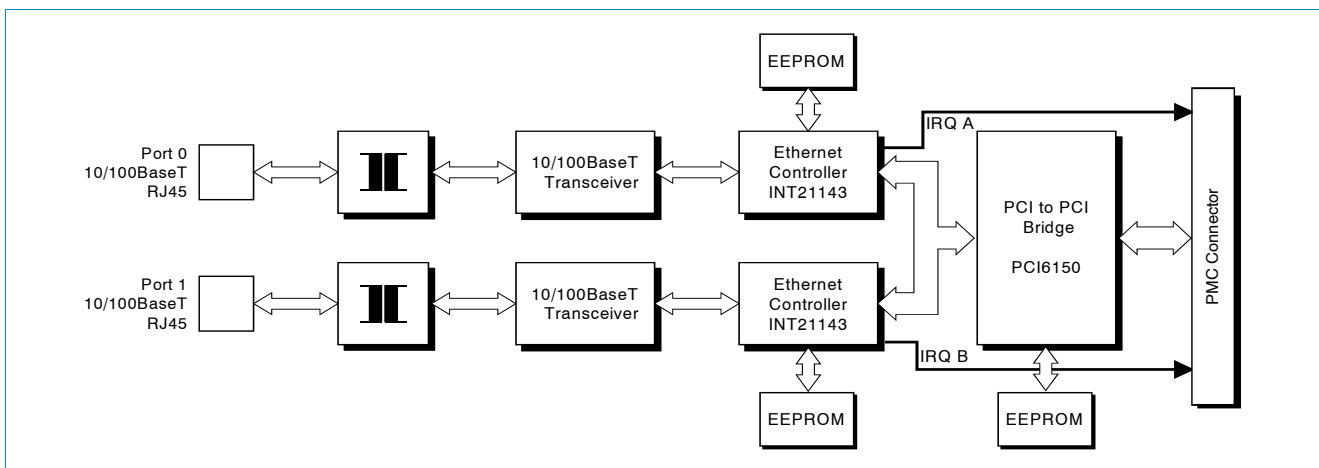
Four LEDs for each Ethernet port show the modules state at the front panel.

Software Support

The module runs with the standard Ethernet system drivers of Linux® and VxWorks®. Please ask for your operating system support.



(This product is not recommended for new designs.)



Technical Specifications:

PMC Interface:	
Standards	PCI-to-PCI bridge: PCI Specification 2.3, Ethernet controller: PCI Specification 2.1, PMC: IEEE Std. P1386.1-2001
Interrupts	Ethernet port 0 IRQ A, port 1 IRQ B
Signal conditions	PCI clock rate: 33 MHz, 3.3 V or 5 V, PCI clock rate: 66 MHz, 3.3 V
Power supply	3.3 V and 5 V supply voltage necessary
Power consumption	3.3 V / 400 mA (typ.), 5 V / 400 mA (typ.)
Connectors:	P11, P12 acc. to IEEE Std. P1386.1-2001
Ethernet:	
Ports	2
Speed	10 Mbit/s and 100 Mbit/s, automatic speed detection, both full duplex
Specification	IEEE 802.3 (10/100BaseT)
Connectors	RJ45

General:	
Ambient temperature	0...+65 °C (operating), -40...+85 °C (storage)
Relative humidity	5 %...95 %, non-condensing
UL94 classification	PCB UL recognized (min. UL94V-1 / 105 °C), all connector materials UL94V-1 or better
Order Information:	
Designation	Order No.
PMC-ETH2	PMC target module with 2x Ethernet at RJ45
	V.2086.01