

PMC-DVI DVI-Graphics Board

- 69030 graphics controller
- resolution up to 1600x1200x16 bits per pixel
- 4 Mbyte on-chip high performance SDRAM memory
- DVI-I (digital video interface) connector including RGB-analog

Graphics Controller Asilant 69030

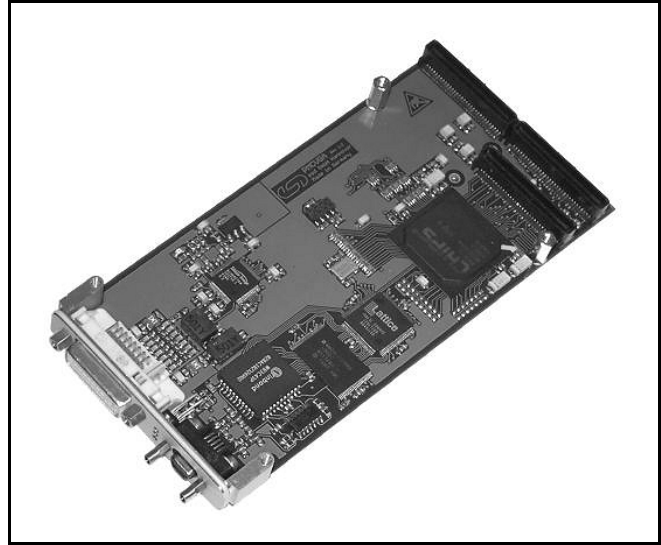
The PMC-DVI is a graphics board in 'single' PCI mezzanine card size. The powerful graphics controller 69030 offers display modes from 640x480 (true color) at 85 Hz up to 1600x1200 (16 bit colors) at 60 Hz. The DVI-I-interface is designed to control CRT-monitors by analog video signals as well as TFT-monitors by digital video signals.

Keyboard and Mouse Interface

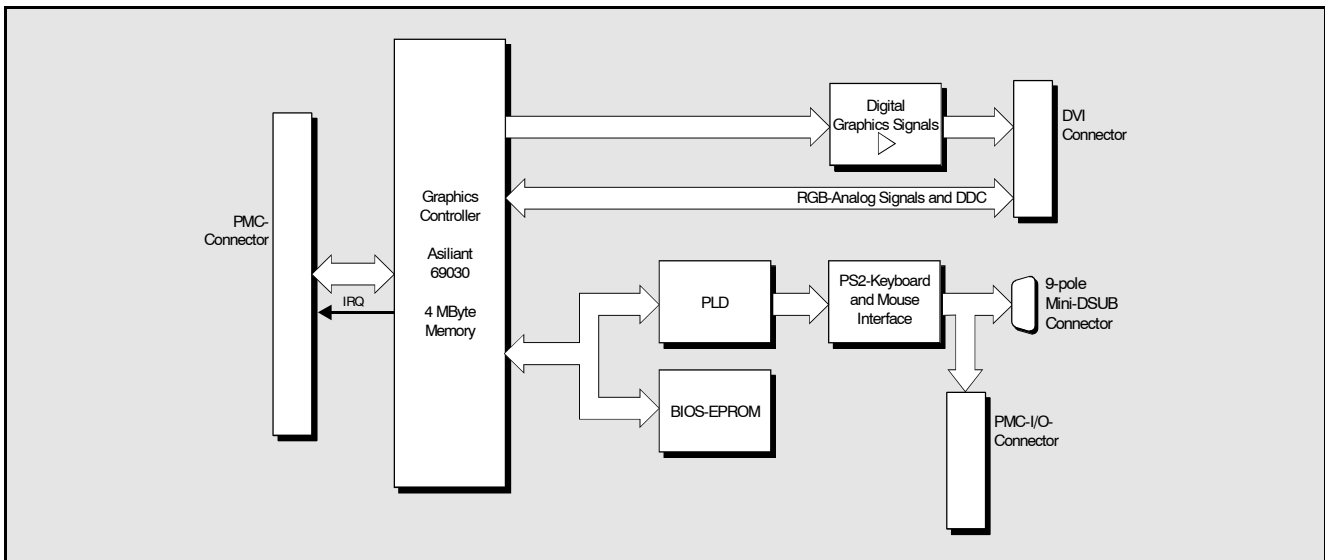
The board is equipped with a Mini-DSUB9-connector as PS2-interface. A PS2-keyboard and a PS2-mouse can be connected to this port simultaneously by means of an adapter.

Software Support

Graphics drivers are available for VxWorks, RTOS/UH, Linux and QNX. Windows 98/NT2000 is also supported. Other drivers are available on request.



(This product is not recommended for new designs.)



Technical Specifications:

PMC connection:	
Interface:	acc. to PCI Mezzanine Card specification
PCI-Bridge:	Asilant 69030
Graphics:	
Outputs:	simultaneous display of digital TFT-monitor and analog CRT-monitor with different frequencies at DVI-connector
Display modes:	VGA (640x480) with True Color (24 bit) at 85 Hz SVGA (800x600) with True Color at 85 Hz XGA (1024x768) with High Color (16 bit) at 85 Hz SXGA (1280x1024) with 8 bit colors at 75 Hz UXGA (1600x1200) with 16 bit color at 60 Hz
Keyboard and Mouse:	
Keyboard, Mouse:	two PS2-ports for keyboard and mouse at one Mini-DSUB9 connector

General:		
Ambient temperature:	0...50 /C	
Humidity:	max. 90 %, non-condensing	
Operating voltage:	3.3 V, 5 V	
Connectors:	analog and digital graphics out: DVI PS2: Mini-DSUB9	
Order information:		
Designation		Order No.
PMC-DVI	Graphics adapter board	V.2022.02
PMC-DVI-VxW	VxWorks drivers	V.2022.31
PMC-DVI-ME	English manual	V.2022.21