

# DN-PC104/331

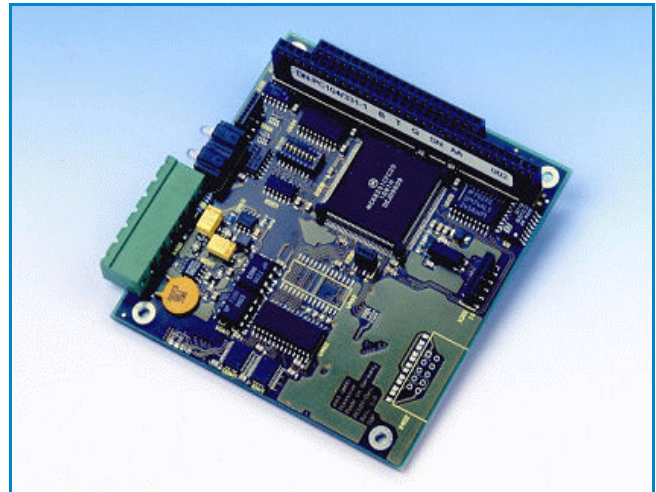
## Intelligent PC/104 to DeviceNet Interface

- Intelligent DeviceNet interface at PC/104 board
- On board microcontroller for local data management
- Local master/scanner firmware relieves the user dealing with the low-level DeviceNet protocol
- DeviceNet interface acc. to DeviceNet specification 2.0
- Common API approved at various operating systems
- Dynamical firmware updates possible by download

### Powerful DeviceNet Interfaces for PCs

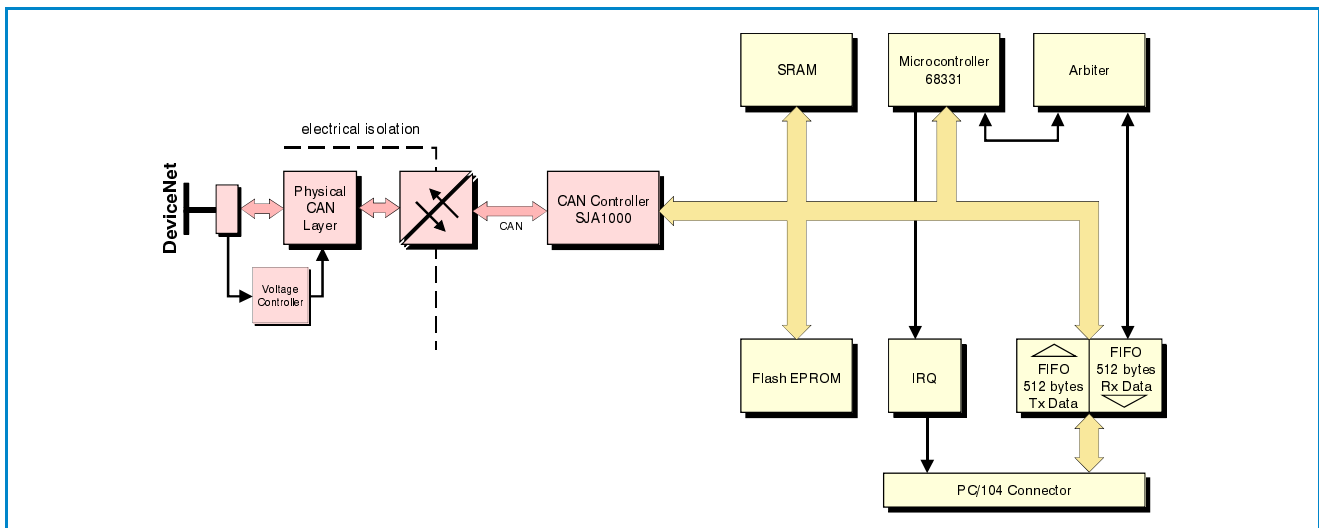
The module DN-PC104/331 is a 16-bit board designed for the PC/104 bus. It uses a 68331 microcontroller, which cares for the local DeviceNet data management. Data is stored in the local SRAM.

The DeviceNet interface of the board meets the requirements of the DeviceNet specification 2.0. The interface is electrically isolated from the other potentials by means of optocouplers.



### Software Support

The firmware for the master/scanner is stored locally in the Flash EPROM and can be dynamically updated by download. Drivers are available for Windows 2000 / XP / 7 (for Windows XP / 7 also as 64-bit version) and VxWorks. Please contact our sales team [sales@esd.eu](mailto:sales@esd.eu)



### Technical Specifications:

#### PC/104 Interface and Microcontroller:

PC/104 interface	Data: IN/OUT FIFOs (512 bytes each), IRQ: 1 of 12
Microcontroller	68331
Memory equipped	128 k x 16 bit SRAM, 128 k x 8 bit Flash EPROM

#### DeviceNet:

DeviceNet Std.	Interface acc. to DeviceNet specification 2.0
Bit rate	125 kbit/s, 250 kbit/s and 500 kbit/s
CAN controller	SJA1000, according to ISO 11898-1
Physical layer	Differential, electrically isolated

#### General:

Ambient temperature	0 °C ... +50 °C
Humidity	Max. 90%, non-condensing
Supply voltage	5 VDC via PC/104 bus 24 VDC for bus driver section via DN physical layer
DeviceNet connector	5-pole combicon-style connector

#### Order Information:

Hardware		Order No.
DN-PC104/331-1	PC/104 board with one DeviceNet channel on board	C.2014.02