

CPCI-USB-5

CPCI USB 2.0 Interface with 6 USB Ports

- 5x USB 2.0 Hi-Speed via front panel
- 1x USB 2.0 Hi-Speed via on-board connector
- sequentially powering up USB ports
- 1x CompactFlash card slot on-board (option)
- 1x SD card slot on-board (option)

CompactPCI and USB

The CPCI-USB-5 is a CompactPCI board in 3U format. It is equipped with a NEC μ PD720101, a USB 2.0 host controller that supports 5 Hi-Speed USB 2.0 interfaces. One of them is multiplied by an on-board HUB.

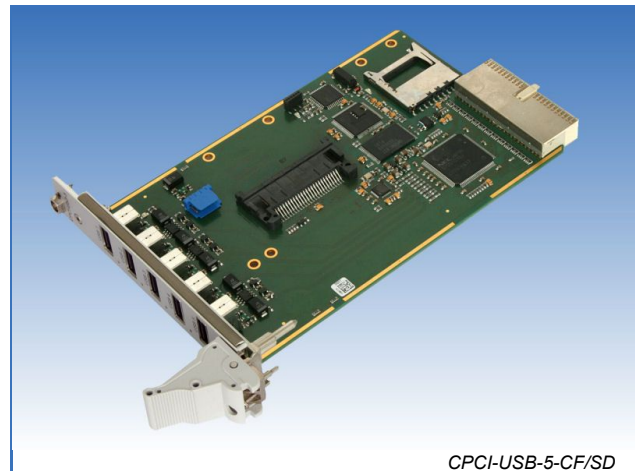
The 5 external USB 2.0 interfaces are accessible via USB connectors (type A, female) in the front panel. The internal USB 2.0 interface is accessible via a 5-pin DUBOX connector located on the board. Power control and overcurrent protection are ensured for all 6 USB interfaces.

The CDC-device reduces the starting current by sequentially powering up the USB ports.

Seven user specific LEDs and one LED for the internal medium/device are located in the front panel.

Optional CompactFlash and SD Card Interface

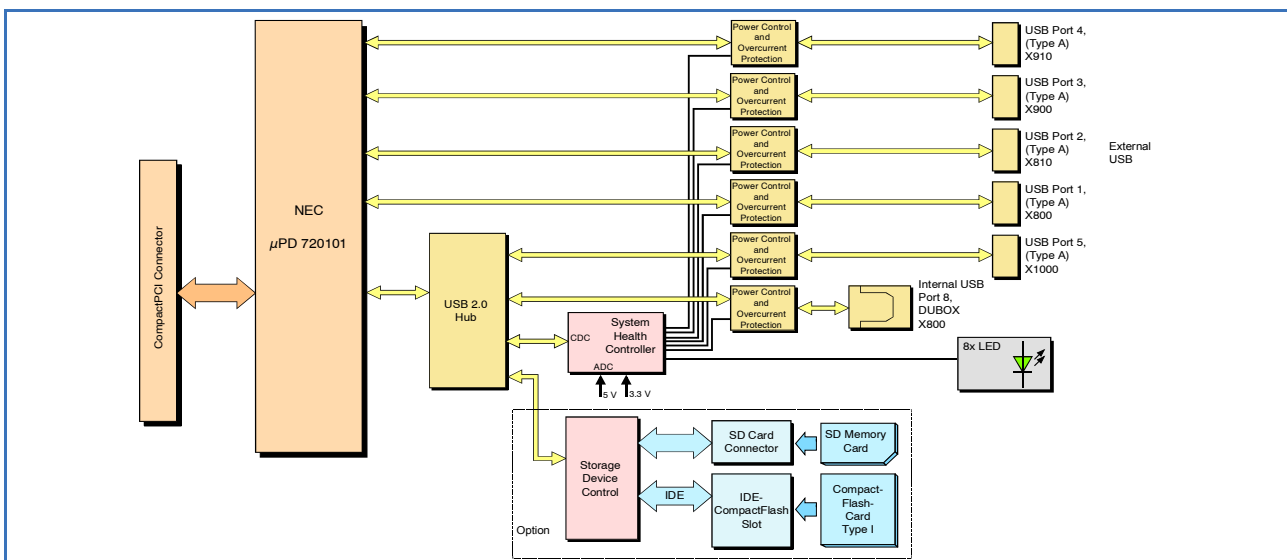
Optionally, the CPCI-USB-5-CF/SD is additionally available with an on-board CompactFlash card slot and a SD memory card slot.



CPCI-USB-5-CF/SD

Software Support

The CPCI-USB-5 runs with standard drivers of the common operating systems.



Technical Specifications:

CompactPCI Bus:	
Interface:	PCI bus according to PCI Local Bus Specification 2.2, 32 bit, 33 MHz
Controller:	NEC μ PD720101
PCI Bus Voltage:	'Universal Board', 3.3 V (5 V tolerant)
USB:	
Interface:	5x USB 2.0, Hi-Speed via front panel, 1x USB 2.0 Hi-Speed via on-board connector
Host Controller:	NEC μ PD720101 USB 2.0 Host Controller, up to 480 Mbit/s
CompactFlash and SD Memory Option (I.2326.02 only):	
CompactFlash:	according to CompactFlash™ specification, type I CompactFlash card holder, 'True IDE' mode only, 3.3 V power supply
SD Card:	SD memory card holder

General:	
Operating temperature:	0...50° C
Dimensions:	Euro Format (160 mm x 100 mm), with 3 U height, 4 HP width front panel
Connectors: USB External:	5x USB, type-A, female
USB Internal:	1x 5-pin DUBOX male socket
SD slot:	optional 1x SD card holder on-board
CompactFlash Card:	optional 1x type I CompactFlash card holder on-board

Order information:		
Designation		order no.
CPCI-USB-5	CPCI USB 2.0 interface with 5x USB 2.0 via front panel, 1x USB on-board connector	I.2326.01
CPCI-USB-5-CF/SD	as I.2326.01 but with 1x CompactFlash card slot* and 1x SD memory card slot* on-board	I.2326.02

* Pluggable storage media are not included in the scope of delivery.