

CAN-CBM-DP

Profibus-DP / CAN Gateway



- fast and reliable linking Profibus-DP and CAN with data buffering
- CAN-PLC link, e.g. to SIEMENS S7-300 or S7-400
- no limitation on the number of CAN participants

Linking DP and CAN

The module CAN-CBM-DP can link any Profibus-DP master to a CAN network. The DP/CAN gateway operates as a slave-I/O component with a total of maximum 300 bytes data (partitioning from up to 244 bytes input and 56 bytes output to 244 bytes output and 56 bytes input data) on the DP-bus.

Applications

With the CAN gateway you can couple CAN modules with CANopen or layer-2 implementation to e.g. a SIMATIC-S7. The number of CAN participants is not limited by the module.



Physical Interfaces

The ISO 11898-compatible CAN interface allows a maximum data-transfer rate of 1 Mbit/s. The Profibus-DP-Slave interface automatically recognizes all usual bit rates up to 12 Mbit/s.

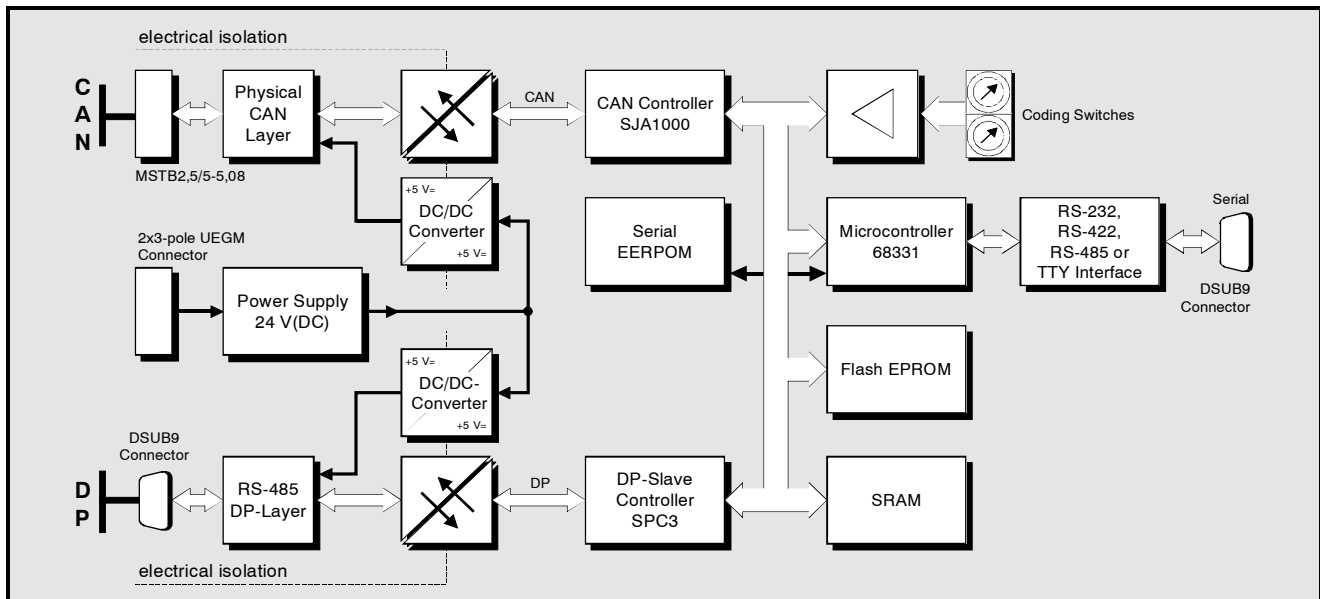
The DP as well as the CAN interface are electrically isolated by optocouplers and DC/DC converters.

Serial interface

The module has a serial interface (default: RS-232) for service and configuration. It is connected by a DSUB9 connector.

Configuration and CAN protocols

For the I/O data mapping of the DP slave a configuration software for Windows95/98 or Windows NT is available. CANopen is supported as Layer-7 protocol on the CAN layer.



Technical Specifications:

CPU and serial interface:

Microcontroller:	68331, 25 MHz
Memory:	512 k x 16 bit SRAM, 128 k x 8 bit Flash EPROM
Available interfaces:	RS-232, RS-485, TTY, max. 38,4 kbit/s

CAN:

CAN controller:	SJA1000, CAN 2.0A/B
CAN interface:	differential, electrically isolated, 1 Mbit/s, ISO11898

Profibus-DP:

DP controller:	SPC3, DP-Slave
DP interface:	RS-485, electrically isolated, max. 12 Mbit/s

General:

Operating voltage:	nominal 24 VDC
Connectors:	CAN: 1x 5-pin connection socket DP: 9-pin female DSUB serial: 9-pin male DSUB power: UEGM screw connector

Order information:

Designation		order no.
CAN-CBM-DP	DP-CAN gateway, layer 2, CAN 2.0A (11-bit CAN-ID), GSD-file	C.2844.03
CAN-CBM-DP-2.0B	DP-CAN gateway, layer 2, CAN 2.0B (29-bit CAN-ID), GSD-file	C.2844.05
CAN-CBM-DP-ME	English user's manual	C.2844.21