

CAN-USB/2

CAN USB 2.0 Interface

- CAN network at USB 2.0
- Power supply by USB
- ALU-micro case

Powerful CAN-Interface for PC

The CAN-USB/2 module is an intelligent CAN-interface with a ARM 7™ microcontroller for the local management of CAN-data. The module supports the USB 2.0 High Speed interface with data rates of 480 Mbit/s.

CAN-Interface

The ISO 11898-compliant CAN-interface allows a data-transfer rate of a maximum of 1 Mbit/s. The bit rate, like many other features of the CAN-interfaces, can be set by software.

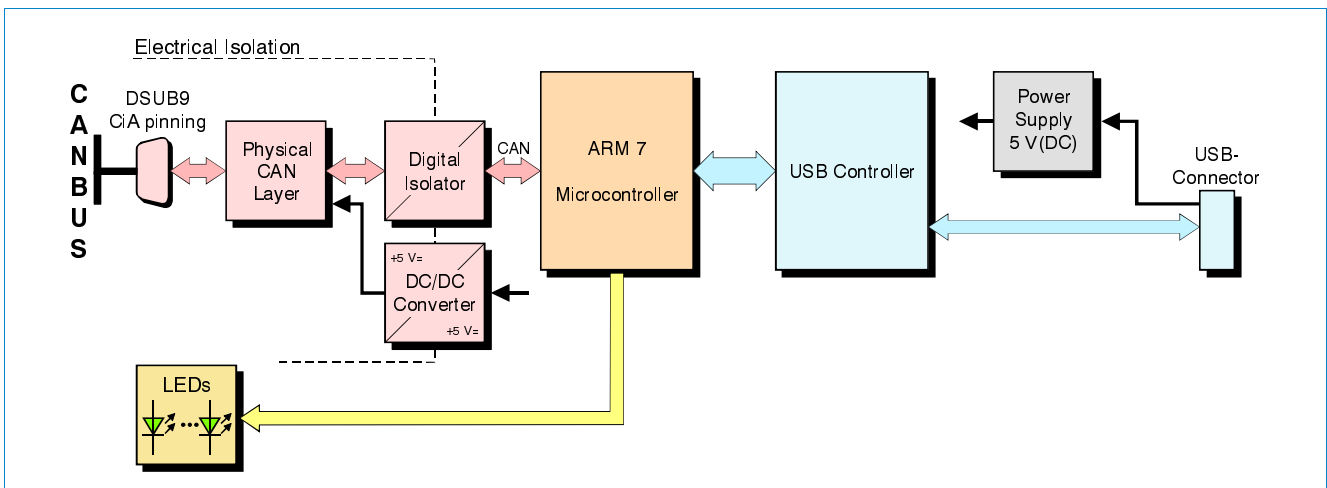
The CAN-interface is electrically isolated from other potentials by means of a digital isolator and a DC/DC-converter.

Software Support

Software drivers are available for Windows® 2K/XP, Windows XP x64 and Windows CE. Drivers for other operating systems are available on request. The firmware can be updated from the PC. A CANopen® software package is available for Windows 2K/XP and Windows XP x64 systems.

LED Display

Four LEDs show the state of the module.



Technical Specifications:

USB interface and microcontroller:	
USB:	USB 2.0, bit rate 480 Mbit/s
Microcontroller:	ARM 7, 32 bit, 60 MHz
CAN interface:	
CAN interface:	CAN high speed interface acc. to ISO11898-2, differential, electrically isolated, bit rate up to 1 Mbit/s

General:	
Case dimensions:	55 x 55 x 25 mm
Weight:	70 g
Ambient temperature:	0...50 °C
Supply voltage:	via USB: 5V
Connectors:	CAN: 9-pole DSUB (male) USB: series B type USB (female)

Order information:		
Designation		order no.
CAN-USB/2	USB 2.0, 1x CAN, ISO11898	C.2066.02
CAN-DRV-LCD	CAN layer 2 (CAN-API) object licence for Windows, incl. CD-ROM	C.1101.02
CANopen-LCD	CANopen object licence for Windows, incl. CD-ROM	C.1101.06
CAN-USB-ME	Hardware manual	C.2066.21
CAN-API-ME	Software manual CAN-API	C.2001.21