

CAN-PCI104/200

PCI-104-CAN Interfaces

- one or two independent CAN nets for PCI-104 bus

CAN Interface for PCI-104

The CAN-PCI104/200 is designed for the PCI-104 bus.

CAN Interface

Each CAN interface is controlled by a ISO11898-1 controller SJA1000. The ISO11898-2 compliant CAN interfaces allow data transfer rates up to 1 Mbit/s. The CAN interfaces are electrically isolated. The CAN signals are routed to 10-pole plug connectors.

Software Support

Drivers are available for Windows and Linux OS. Realtime OS like QNX are also supported. The Windows driver package comes with a software development kit (SDK) that includes powerful CAN tools to guarantee an easy start and quick success. As higher layer protocol e.g. CANopen is available. Customization requests are appreciated. Please contact us!

ISA Interface (PC/104-Plus compatible)

To provide ISA bus for PC/104 boards a PC/104-compatible ISA connector can be equipped on request.

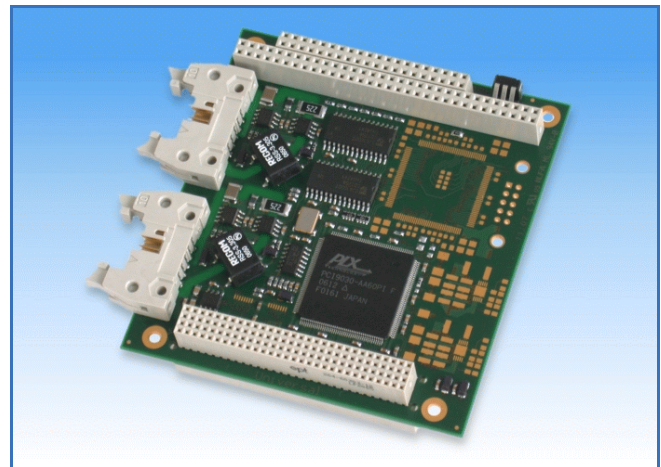
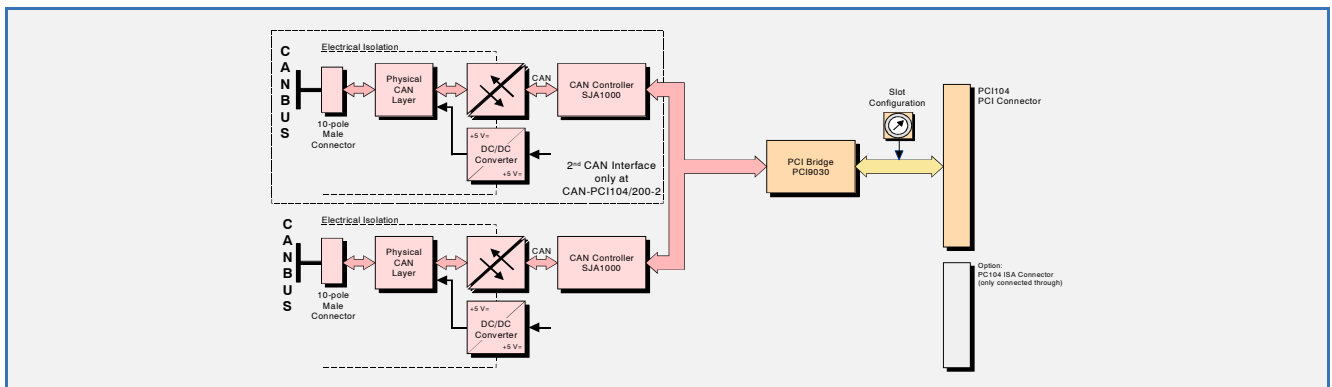


Figure: CAN-PCI104/200-2 with optional ISA connector

(This product is not recommended for new designs.)



Technical Specifications:

PCI interface:	
PCI bridge:	PLX PCI9030
Specification:	PCI 2.2
Bus speed:	33 MHz at 3.3 or 5.0 V signal voltage
CAN:	
Interfaces:	one or two
CAN controller:	SJA1000, ISO11898-1 (CAN2.0)
Physical layer	differential, electrically isolated, ISO11898-2 (1 Mbit/s)
General:	
Temperature:	0...50 °C
Humidity:	max. 90 %, non-condensing
Supply voltage:	3.3 VDC <u>and</u> 5 VDC
Dimensions:	acc. to PC/104-Plus standard
Connectors:	CAN: 10-pole plug connector, PCI-104 PCI connector, option: PC/104 ISA connector

Order information:

Hardware	order no.
CAN-PCI104/200-1	1x CAN 2.0A/B, ISO11898 C.2046.02
CAN-PCI104/200-2	2x CAN 2.0A/B, ISO11898 C.2046.04
CAN-PCI104/200-2-T	2x CAN 2.0A/B, ISO11898, C.2046.08 extended temperature range from -40 up to +85 °C
CAN-PCI104/200-DSUB/10 pol. CAN-Adapter	C.2046.70
CAN layer 2 drivers for Windows and Linux are included in delivery	

Software Support

Additional CAN layer 2 object licences including CD-ROM ¹ :	
CAN-DRV-LCD QNX	C.1101.32
CAN-DRV-LCD VxWorks	C.1101.55
CAN-DRV-LCD RTX	C.1101.35
Higher CAN layer protocols ¹ :	
CANopen-LCD Windows/Linux	C.1101.06
CANopen-LCD RTX	C.1101.16
CANopen-LCD QNX	C.1101.17
CANopen-LCD VxWorks	C.1101.18
J1939 stack for Windows	C.1130.10
J1939 stack for Linux	C.1130.11

¹ For detailed information about the driver availability for your operating system please contact our sales team.