

CAN-CBX-COM2

CANopen® Module with Two Serial Interfaces



Communication with Two Serial Interfaces into a CANopen Network

- Configuration of serial physical interfaces via piggybacks
- 2x RS-232 or optional 1x RS-232 and 1x RS-485 serial interfaces
- ARM7 Microcontroller

User Friendly CANopen Module with Solid InRailBus Technology

- InRailBus technology combines high ease of use and proven reliability
- CANopen CiA® 301 support

Configuration of Serial Interfaces

- Serial Communication Parameters can be configured in a flexible range



Serial Interface

Two serial interfaces can be connect to a CAN net.

In the standard version the physical layers are realized as two RS-232 interfaces. Instead of the driver for RS-232 interfaces, the module can be equipped with piggybacks for RS-422, RS-485 or TTY-active/passive interfaces.

CAN Interface

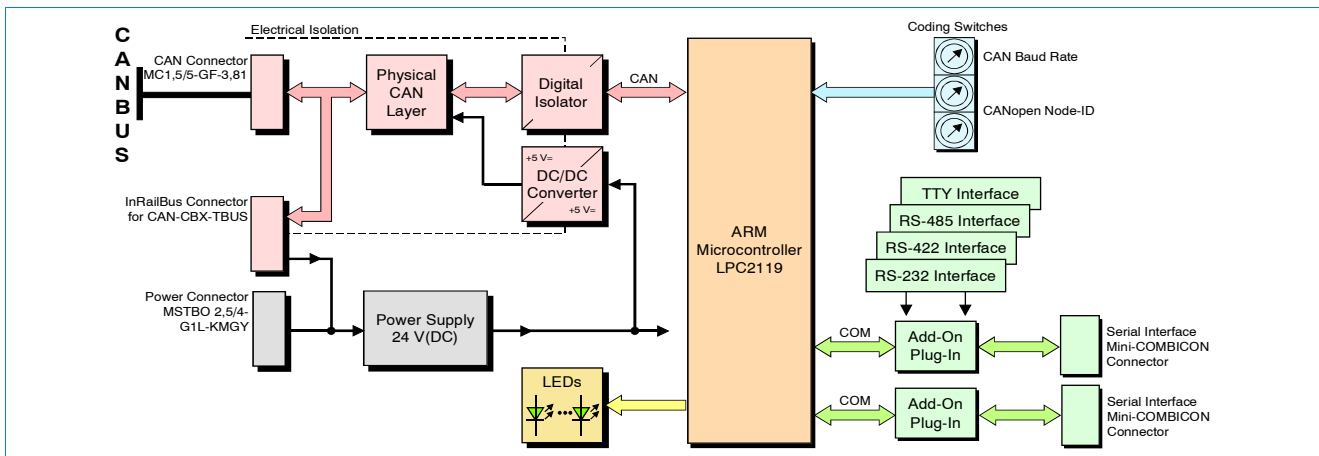
The CAN interface is designed according to ISO 11898-2 high-speed layer with electrical isolation and supports bit rates up to 1 Mbit/s. The CANopen-node number and the CAN bit rate can be easily set via coding switches.

InRailBus

The CAN-CBX-COM2 features the possibility to connect the power supply and the CAN bus signals via the InRailBus connector (TBUS-connector) integrated in the mounting rail. Individual modules can then be removed from the InRailBus without interrupting the bus signals.

Software Support

The module comes with CANopen firmware according to CiA 301 and CiA DSP 302.



Technical Specifications:

Microcontroller and CAN Interface:	
CPU	LPC2119, 32-bit
CAN interface	High-speed, ISO 11898-2, electrically isolated, up to 1 Mbit/s
Connector	1x, 5-pin COMBICON style 1x InRailBus
Serial Interface:	
Number	2, independently configurable
Interface	Standard: 2x RS-232 Optional: 1x RS-232 and 1x RS-485 or RS-422, RS-485 or TTY-active/passive
Connector	2x 7-pin Mini-Combicon connector

General:	
Nominal Voltage	24 V/DC
Nominal Current	30 mA @ 24 V
Ambient temperature	0 °C ... +50 °C
Relative humidity	Max. 90 % (non-condensing)
Dimensions	22.5 mm x 99 mm x 114.5 mm
Weight	Approx. 135 g

Order Information:		
Hardware		Order No.
CAN-CBX-COM2	CBX module with 2x RS-232	C.3055.02

For detailed information about availability of the optional serial interfaces please contact our sales team.